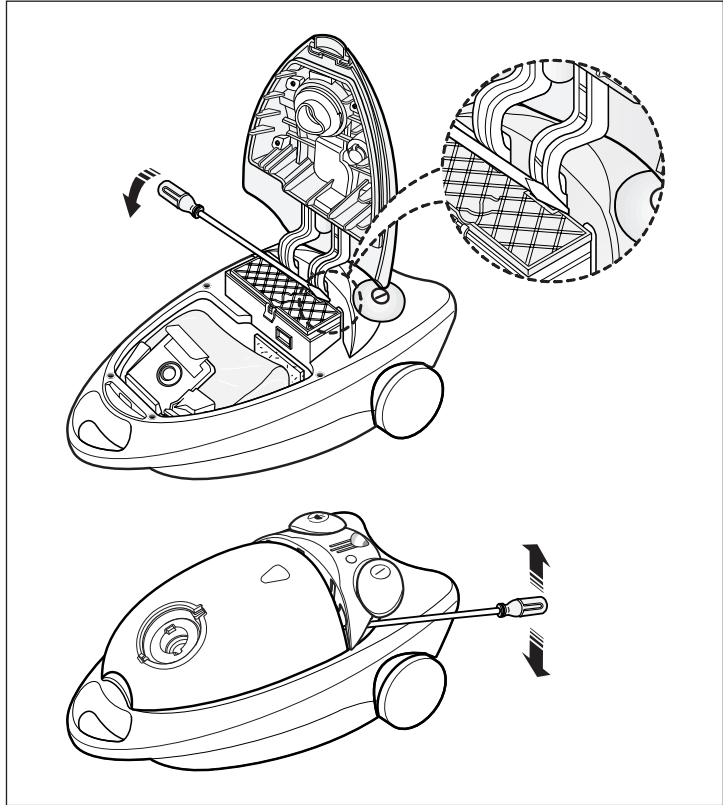
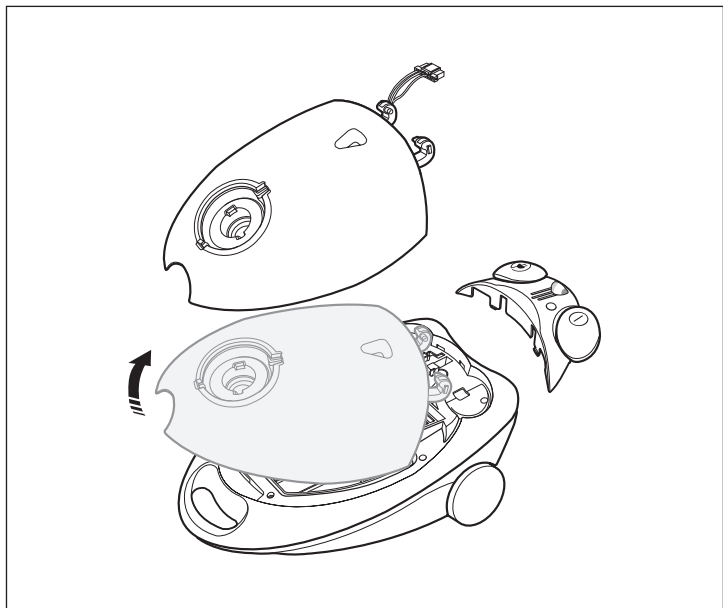

4. Disassembly and Reassembly

4-1 Removal of Panel & COVER-DUST ASS'Y

- 1) Detach the Panel with a flat head screw driver.

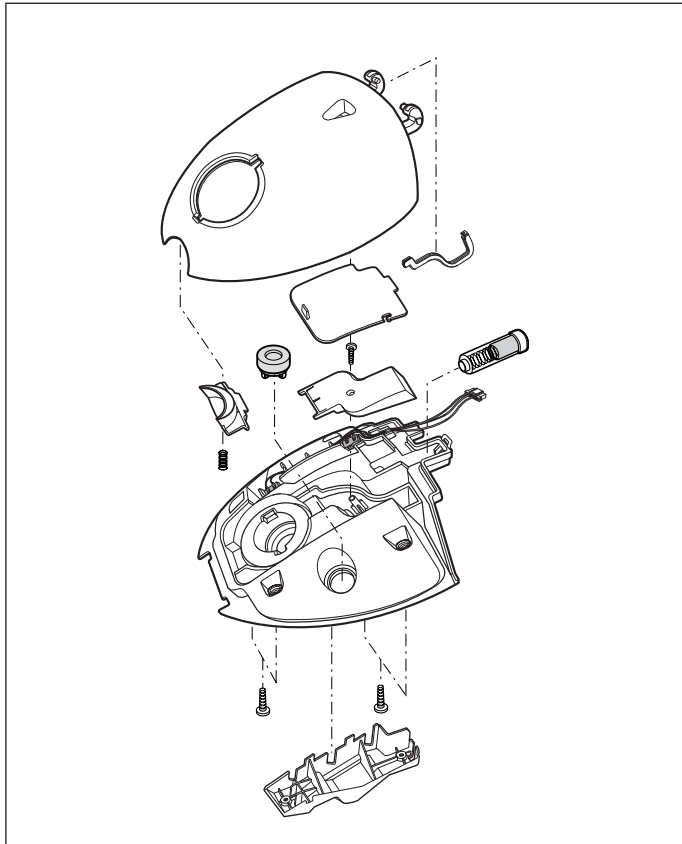


- 2) Separate WIRE ASS'Y From the wafer on main body then detach COVER-DUST ASS'Y



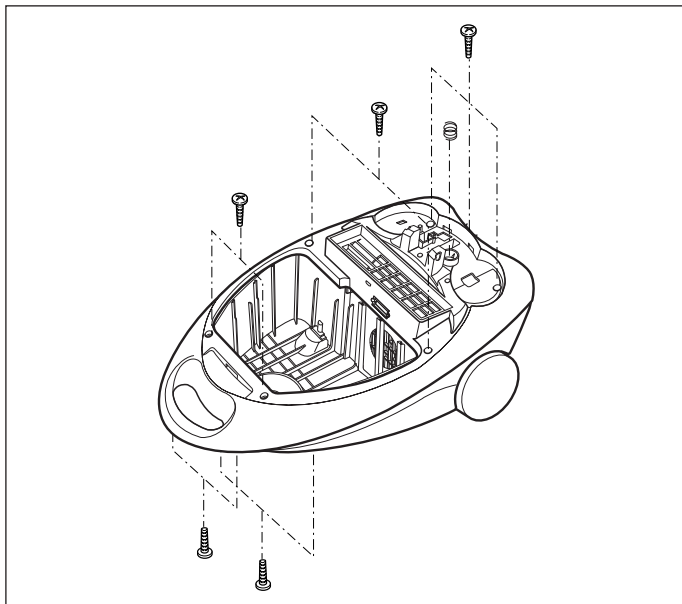
4-2 Disassembly of COVER-DUST ASS'Y

Loosen the four screws and detach INDICATOR ASS'Y, CAP-SLIDE and WIRE ASS'Y.



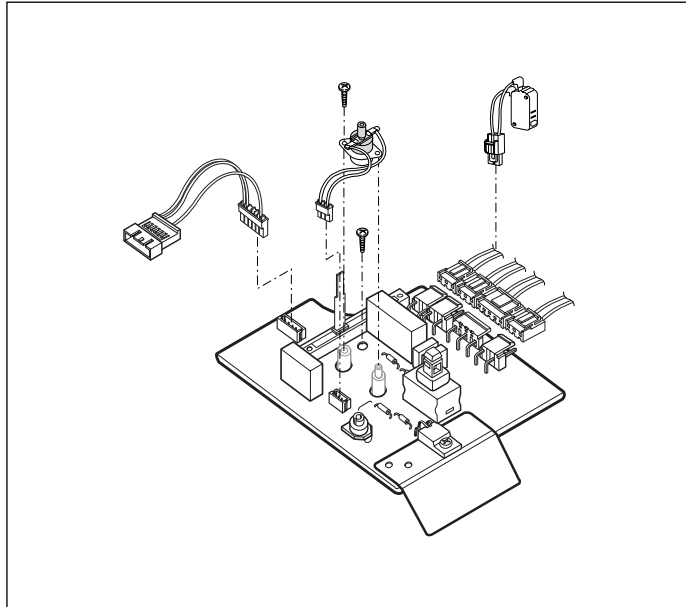
4-3 Removal of Main Body

Release 11 screws and lift the main body upward.



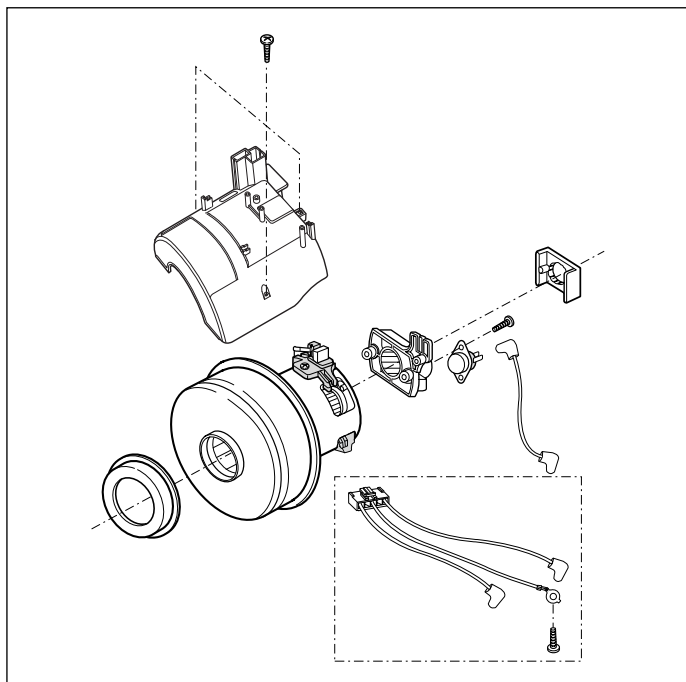
4-4 Removal of Main PCB Assembly

Separate the WIRE ASS'Y from the MAIN-PCB ASS'Y and loosen the screw.



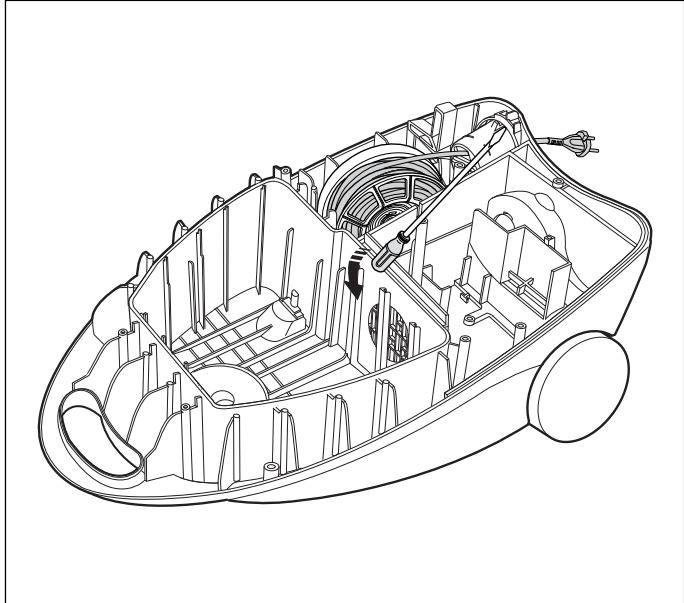
4-5 MOTOR replacement

- 1) Loosen the four screws and separate CASE-MOTOR,FRONT from the body.
- 2) Loosen the screw and separate MOTOR and ASS'Y CONNECTOR MOTOR.



4-6 Cord Reel Replacement

- 1) Detach the guard-cord with a flat head screw driver.



- 2) Separate the CORD-REEL from the body.
- 3) Hold the body reel and wind the power cord to the 5 times.
- 4) When the winding is completed, immediately assemble the CORD-REEL to the body.

