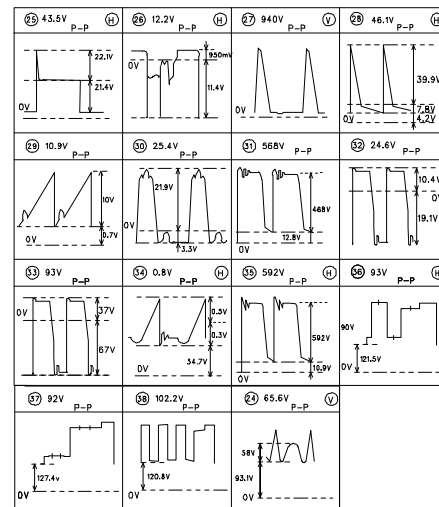


# SAFETY CAUTION :

BEFORE SERVICING THIS CHASSIS IT IS IMPORTANT THAT THE SERVICE TECHNICIAN READ AND FOLLOW THE "X-RAY RADIATION PRECAUTION, "SAFETY PRECAUTIONS" AND "PRODUCT SAFETY NOTICE" IN THE SERVICE MANUAL.

# PRODUCT SAFETY NOTE :

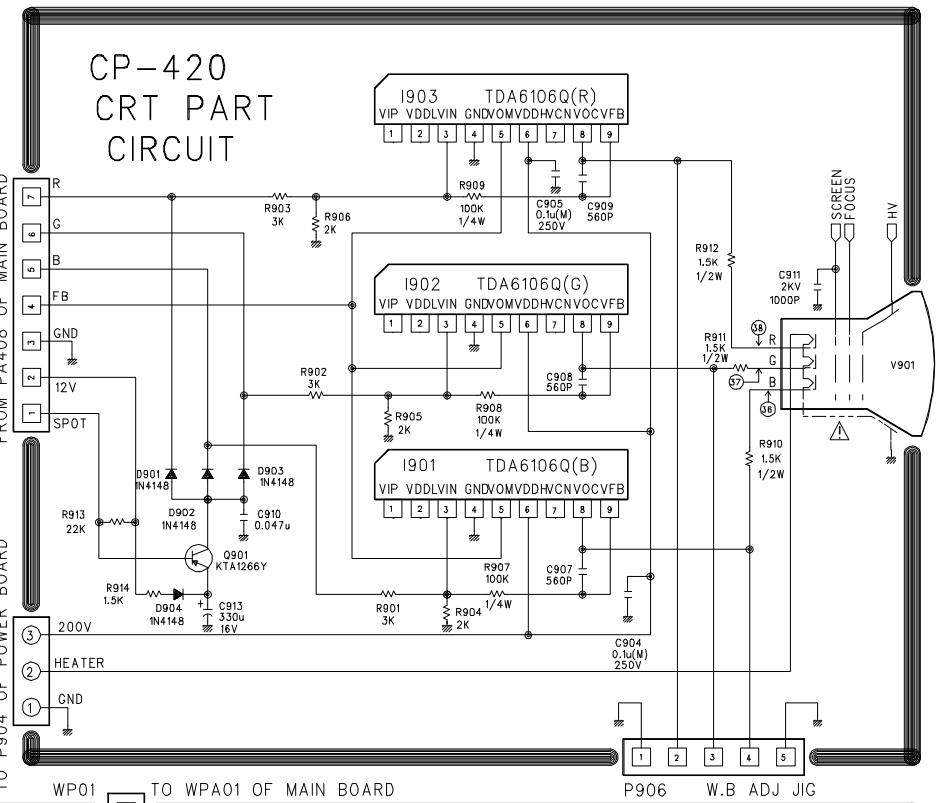
COMPONENTS MARKED WITH  $\Delta$  ARE IMPORTANT FOR MAINTAINING THE SAFETY OF THE SET AND SHOULD BE REPLACED ONLY WITH TYPES IDENTICAL TO THOSE IN THE ORIGINAL OR SPECIFIED ONE IN THE PARTS LIST. DON'T DEGRADE THE SAFETY OF THE SET THROUGH IMPROPER SERVICING.



## DIFFERENT PARTS FOR SIZE

NO	LOC	PART	14"	20"
1	L404	CBL H-LINEARITY	L-125	L-182
2	C415	C MYLAR	200V PU 0.47F	200V PU 0.36F
3	R834	R CARBON FILM	1/4W 100	1/4W 91
4	R833	R CARBON FILM	1/4W 4.7K	1/4W 5.1K
5	R301	R CARBON FILM	1/4W 1.8K	1/4W 2.2K
6	R419	R M-OXIDE FILM	1W 1.2	1W 2.4
7	R572	R CARBON FILM	1/6W 8.2K	1/6W 6.8K

DRAWN	DESIGNED	CHECKED	APPROVE	CHASSIS	CP-420
C.S. KO	C.S. KO	H.L.PARK		FILE NAME	10711-00.SCH
				ISSUED	
98.01.121				REVISED	
DESIGNER	3TJSP	C.S. KO	REV No.	SHEET	1/1
DAEWOO ELECTRONICS TV RESEARCH CENTER				SCHEM	



# CP-420 POWER PART CIRCUIT

